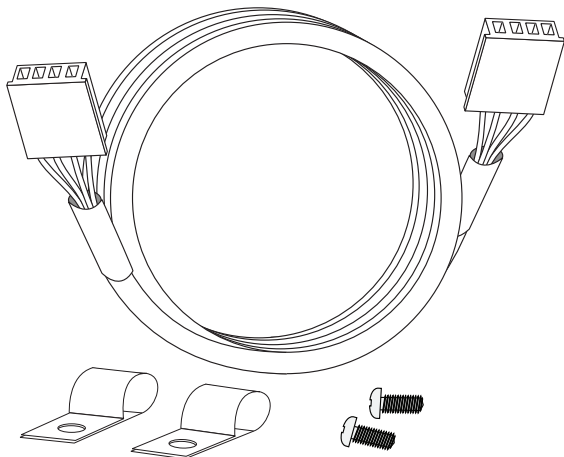



### Installation Instructions



The DUOnex™ System is designed for use with the following models:

PH-16 FIS	PH-28RIFS/ROF-1	PTG2-42PV
PH-20R IFS/OF/DVS	PH-28CIFS/COF-1	PTG-53PV/X/DV
	PH-28R DVS/C DVS	PTG-74PV/X/DV-1

It is very important that all persons who are expected to install, operate or adjust this DUOnex™ System and/or water heater, read these instructions along with those instructions provided with the tankless water heater.

 Recognize this symbol as an indication of Important Safety Information!

**Refer to the Instruction Manual provided with your tankless water heater for the proper installation procedures.**

This kit contains:

1 - DUOnex™ Cable, 2 - Cable Clamps, and 2 - Screws

Install two tankless water heaters of the same model together, in a parallel plumbing application (see figure 2), according to the instructions in the Instruction Manual.

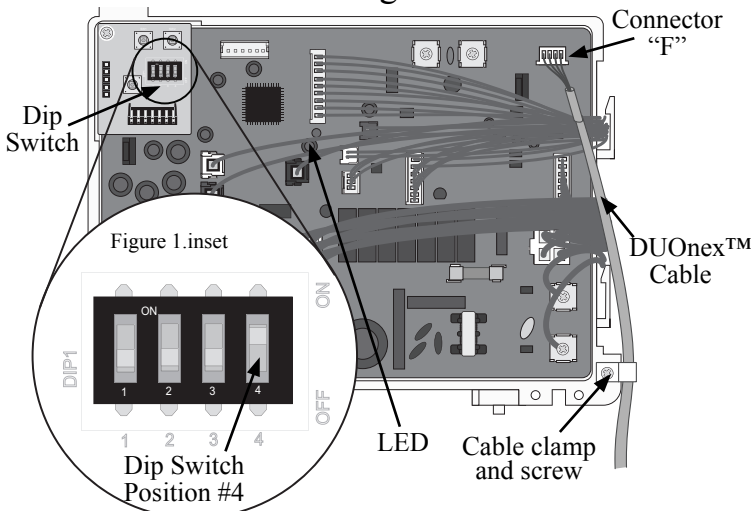
**NOTICE: A remote control is included with each water heater. When using the DUOnex™ System, only one (1) remote control is needed. Connect one remote control to either water heater following the instructions provided in the Instruction Manual. Keep the unused remote control as a spare. The installed remote control will control temperature and functionality at both water heaters.**

1. Make sure power is disconnected and turn off gas and water to both water heaters, then remove the front cover from each unit.
2. Feed one end of the DUOnex™ Cable through the grommated hole in the bottom of the first heater.
3. Plug the cable into the connector marked “F” in the upper right hand corner of the PCB (see figure 1). The

connector will only fit one way. Press until the connector snaps into place.

4. Secure the DUOnex™ Cable with the clamp and screw provided to the bottom of the control board (see figure 1).
5. Change the #4 dip switch setting to the “ON” position (see figure 1 inset).
6. Pass the other end of the DUOnex™ Cable through the grommated hole in the bottom of the second unit.
7. Plug the cable into the connector marked “F” in the upper right hand corner of the control board (see figure 1). The connector will only fit one way. Press until the connector snaps into place.
8. Secure the DUOnex™ Cable with the clamp and screw provided to the bottom of the control board (see figure 1).
9. Change the #4 dip switch setting to the “ON” position (see figure 1 Inset)
10. Attach the front cover on each unit, and turn on the power, gas, and water.
11. Turn on the remote control and wait about one minute. If there is no error code displayed, the setting is completed.
12. Set the temperature at 110°F (43°C) and test the units by turning on a tub or shower fixture.

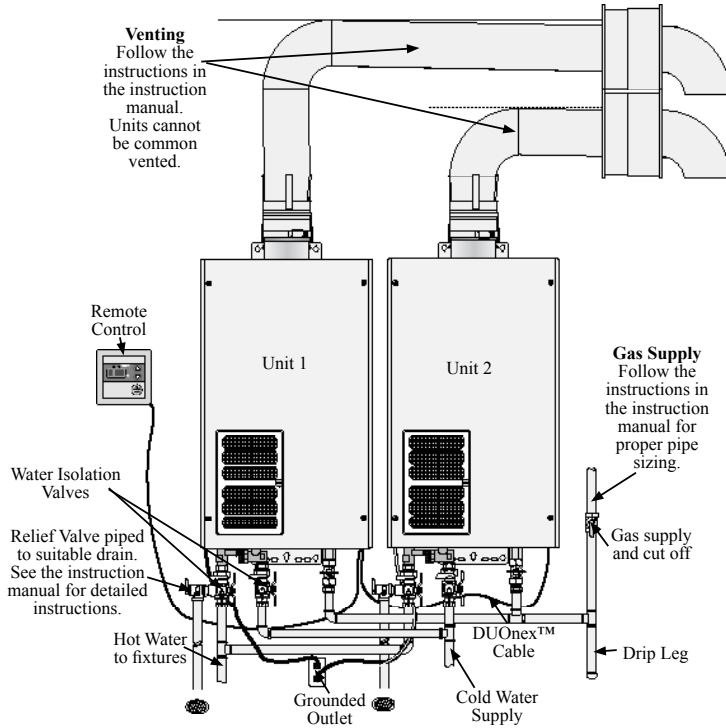
### Control Board - Figure 1



**Notice:** The DUOnex™ System is designed to electronically control two tankless water heaters operating as one. Depending upon the hot water demand, one or both units may be in operation. To test both units, increase the hot water flow by turning on more than one hot water appliance or fixture.

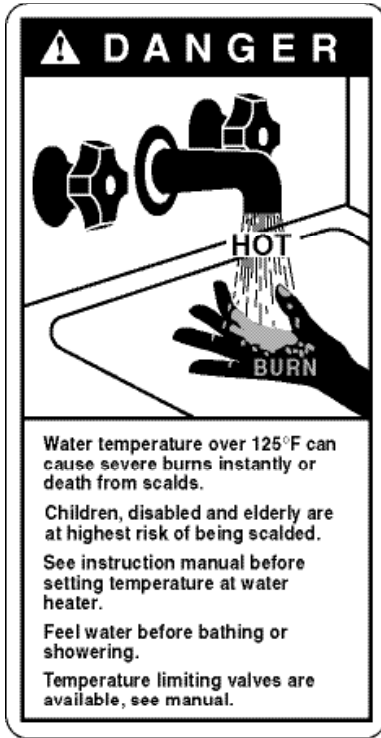
## Typical Two Unit Manifold - Figure 2

Review the Instruction Manual provided with the water heater for complete information and installation instructions.



### Danger - Water Temperature Setting

Safety and energy conservation are factors to be considered when selecting the water temperature setting of a water heater's remote control. Water temperatures above 125°F (52°C) can cause severe burns or death from scalding. Be sure to read and follow the warnings outlined on the label pictured to the left and information in the Instruction Manual provided with your tankless water heater.



**Max Temperature Adjustment** - The factory default temperature setting is 120°F (49°C). Follow these instructions to set the system to allow up to 140°F (60°C) for Residential model and 180°F (82°C) for Commercial model.

Note: Only the UMC-117 Main Remote Control can

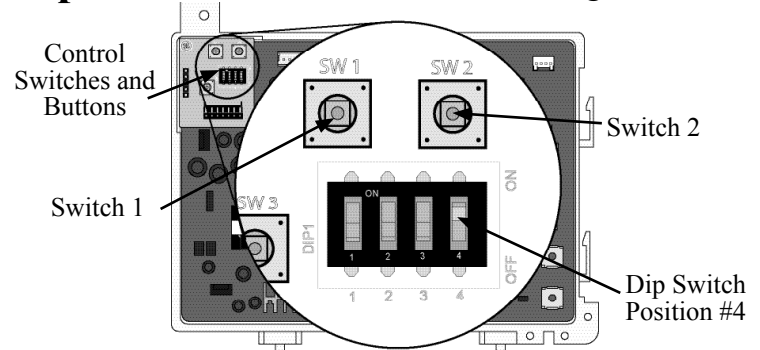
be used for 140°F (60°C) or 180°F (82°C) operation.

1. Turn off the system at the remote control.
2. At water heater with the remote control connected, change the #4 dip switch setting (see figure 3) to the "OFF" position. Wait two seconds, and change the #4 dip switch set-

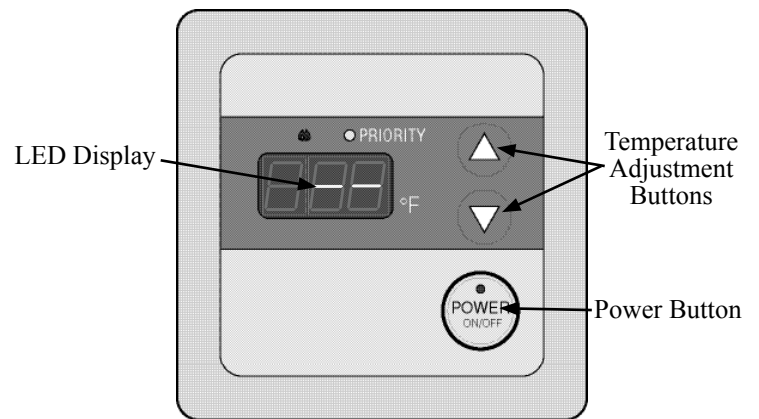
ting back to the "ON" position. The display on the remote control will begin to blink a "dash". (see figure 4)

3. While the remote is blinking a "dash" push and hold the "SW2" button (see figure 3) for three seconds. The display on the remote control will stop blinking and show a solid "dash".
4. Turn on the system at the remote control and adjust to the desired temperature (see figure 4). (Leave the #4 dip switch in the "ON" position.)

## Dip Switches and Buttons - Figure 3



## Remote Control - Figure 4



**120°F (49°C) Max Temperature Reset** - Follow these instructions to reset back to 120°F (49°C) Factory Maximum temperature setting.

1. Turn off the system at the remote control.
2. At the water heater with the remote control connected, change the #4 dip switch setting (see figure 3) to the "OFF" position. Wait two seconds and turn it back to the "ON". The remote control will display a solid "dash" (see figure 4).
3. Next push and hold the "SW1" button for three seconds. The display on the remote control will begin to blink a "dash".
4. Turn on the system at the remote control and adjust to the desired temperature (see figure 4).

**To Drain Water Heater** - When draining water heaters, first return the #4 dip switch setting to the "OFF" position. Follow steps in the Instruction Manual.